

Biscayne Collection

Toilet Paper Holder
TPBN1 / 2025

luca + lex

www.luca-lex.com

928-296-5578



Material:	Stainless Steel 304
Finish:	Brushed Nickel
Item Dimensions:	6.3 x 1.96 x 3.54in
Tube Diameter:	0.75 in
Item Weight:	0.28 lbs
Mounting Type:	Wall Mount
Mounting Hardware:	Included

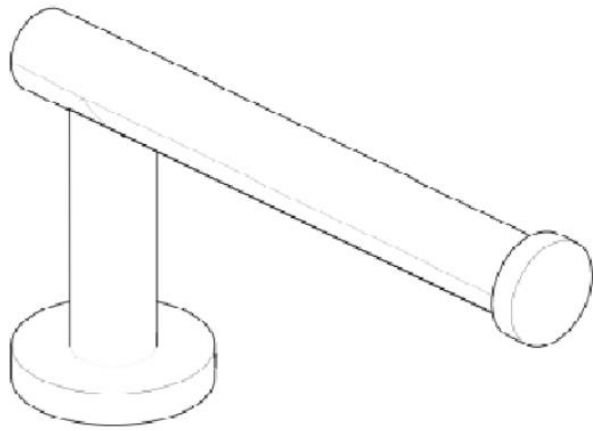
Custom Finishes Available Upon Request
One year warranty from date of purchase on materials & finish.

Biscayne Collection

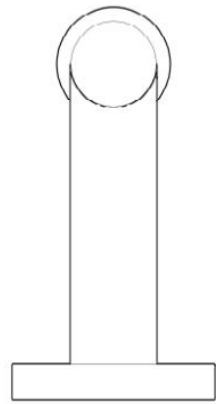
Toilet Paper Holder
TPBN1 / 2025

luca + lex

www.luca-lex.com
928-296-5578



Angle



Side

