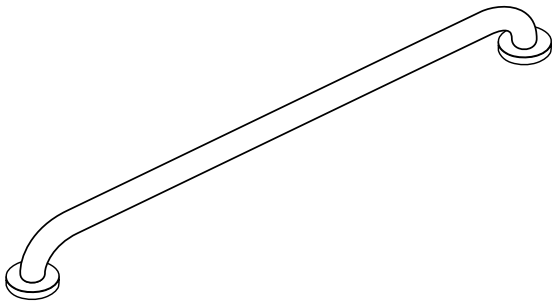


# CLASSIC TOWEL BAR

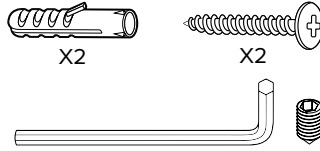
luca+lex

TBMB2, TBBN2, TBPC2, TBBB2, TBPC2A, TBBN2A, TBMB2A, TBBB2A



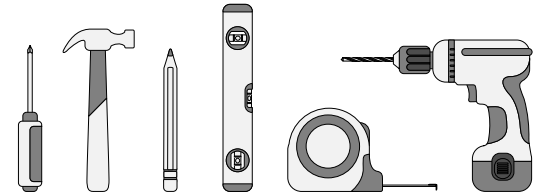
## INCLUDED HARDWARE

Wall Anchors, Screws  
Allen Wrench, Set Screw



## TOOLS YOU MAY NEED:

Phillips head screwdriver, Hammer  
Pencil, Level, Tape Measure, Drill



### STEP 1:

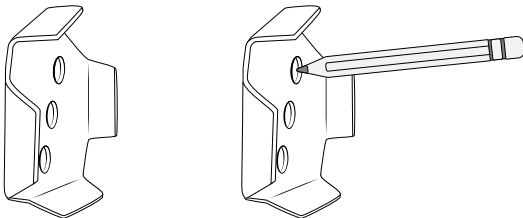
- Locate hanging hardware before discarding any packaging.

### STEP 2:

- Determine installation location. **CAUTION:** Do not install where the product might be used as a grab or support bar.
- For best results, always install towel bar into at least one wall stud. If two studs are not available, install the side not aligned with a stud using a wall anchor.
- Measure & level the bar in desired location.

### STEP 3:

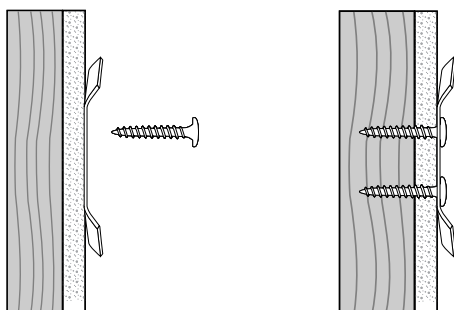
- Make sure the wall mount bracket screw holes are visible.
- Mark the anchor and/or screw placement using a pencil through the wall mount brackets.



### STEP 4:

#### SOLID WOOD OR STUD MOUNT:

- Fasten screws through wall mount bracket at marked points.

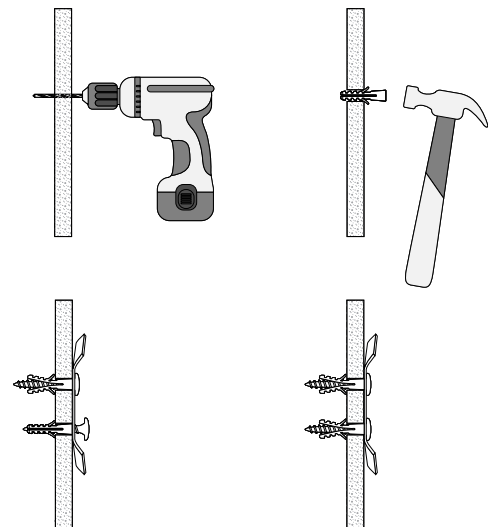


### STEP 4:

#### DRYWALL MOUNT:

- Drill pilot holes and insert plastic anchors into drilled holes using a hammer to tap the anchors flush with the wall. Be careful when tapping not to damage the anchor or surrounding wall.
- Position wall mount brackets over installed anchors.
- Fasten screws through the wall mount bracket into anchors.
- Repeat this process for both mounting brackets, carefully measuring and leveling each side.

**Make sure to follow these steps for all holes in the wall mount bracket for secure installation.**



### STEP 5:

- Fasten towel bar over wall mount brackets.
- Tighten set screws at the bottom with allen wrench.

