

Biscayne Collection

Towel Ring

TRBN1

luca + lex

www.luca-lex.com

928-296-5578



| | |
|--------------------|---------------------|
| Material: | Stainless Steel 304 |
| Finish: | Brushed Nickel |
| Item Dimensions: | 7.9 x 6.9 x 2.2 in |
| Tube Diameter: | 0.4 in |
| Item Weight: | 0.3 lbs |
| Mounting Type: | Wall Mount |
| Mounting Hardware: | Included |

One year warranty from date of purchase on materials & finish.

Acadia Collection

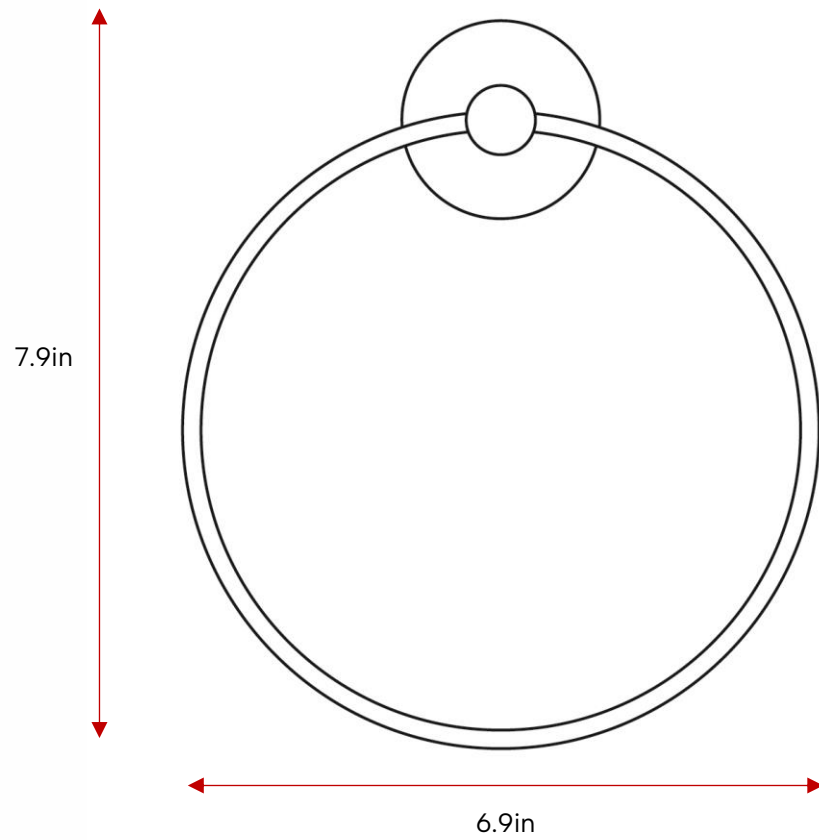
Towel Ring

TRBN1

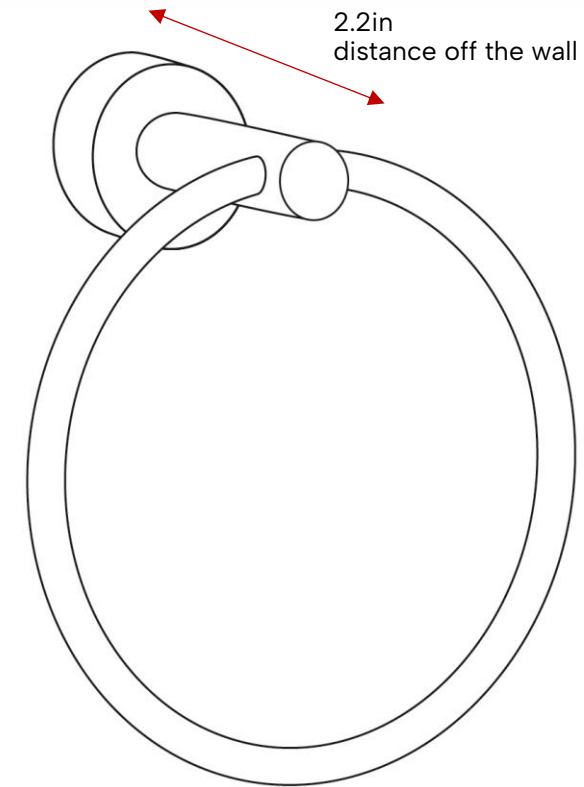
luca + lex

www.luca-lex.com

928-296-5578



Top



Angle