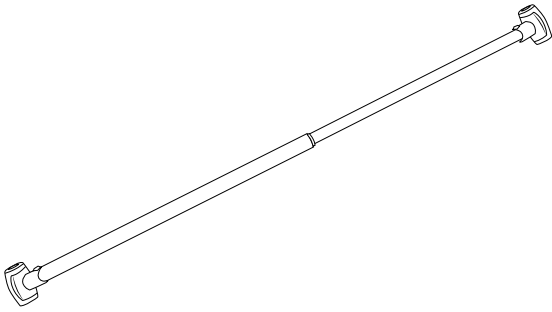


# ADJUSTABLE STRAIGHT SHOWER ROD

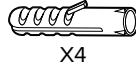
luca+lex

SRMB1S, SRBB1S, SRPC1S, SRBN1S

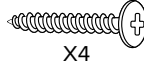


## INCLUDED HARDWARE

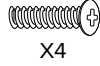
Dry Wall Anchors, Screws, Allen Wrench, Set Screw



X4



X4



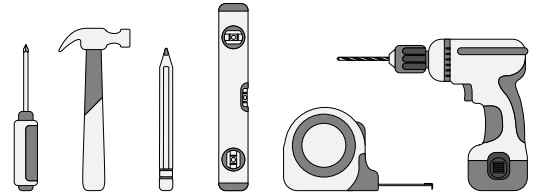
X4



X2

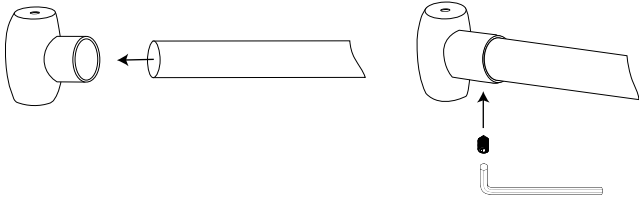
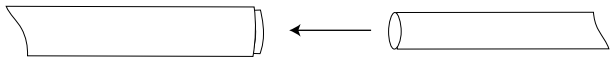
## TOOLS YOU MAY NEED:

Phillips head screwdriver, Hammer, Pencil, Level, Tape Measure, Drill



### STEP 1:

- Locate hanging hardware before discarding any packaging. **As a precaution, please close the bathtub drain to prevent the loss of small parts.**
- Insert smaller diameter rod into larger diameter rod.
- Attach mounting brackets to each end of rod with set screw.

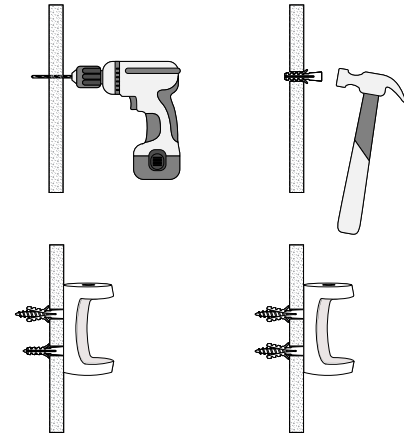


### STEP 4:

#### DRYWALL MOUNT:

- Drill pilot holes and insert plastic anchors into drilled holes using a hammer to tap the anchors flush with the wall. Be careful when tapping not to damage the anchor or surrounding wall.
- Position wall mount brackets over installed anchors.
- Fasten screws through the wall mount bracket into anchors.
- Repeat this process for both mounting brackets, carefully measuring and leveling each side.

**Make sure to follow these steps for all holes in the wall mount bracket for secure installation.**

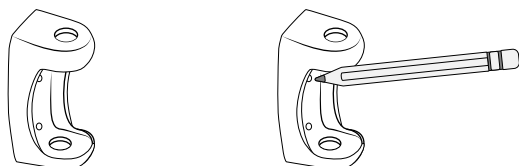


### STEP 2:

- Determine installation location.
- This straight shower rod fits a standard tub, and adjusts from 48" to 78".
- Measure & level the rod in desired location.
- For best results, always install shower curtain rod into at least one stud. If two studs are not available, install the side not aligned with a stud using a wall anchor.
- Wood screws and tile anchors not included, please purchase separately.

### STEP 3:

- Position the wall mount bracket as shown.
- Mark the anchor and/or screw placement using a pencil through the wall mount brackets.
- Repeat for both sides.



### STEP 5:

- Insert shower rod into mounted brackets as shown below.
- Secure rod and bracket with screws provided.

