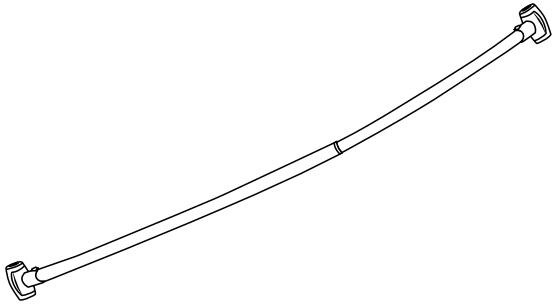


ADJUSTABLE CURVED SHOWER ROD

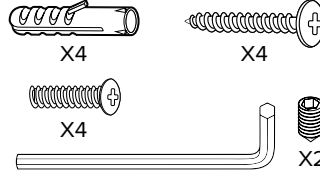
luca+lex

SRMB1C, SRBB1C, SRPC1C, SRBN1C



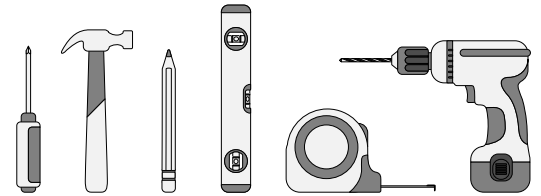
INCLUDED HARDWARE

Dry Wall Anchors, Screws, Allen Wrench, Set Screw



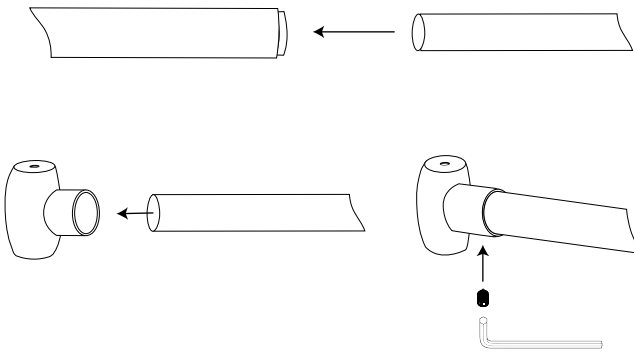
TOOLS YOU MAY NEED:

Phillips head screwdriver, Hammer, Pencil, Level, Tape Measure, Drill



STEP 1:

- Locate hanging hardware before discarding any packaging. **As a precaution, please close the bathtub drain to prevent the loss of small parts.**
- Insert smaller diameter rod into larger diameter rod.
- Attach mounting brackets to each end of rod with set screw.

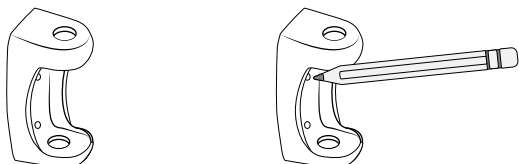


STEP 2:

- Determine installation location.
- This straight shower rod fits a standard tub, and adjusts from 48" to 78".
- Measure & level the rod in desired location.
- For best results, always install shower curtain rod into at least one stud. If two studs are not available, install the side not aligned with a stud using a wall anchor.
- Wood screws and tile anchors not included, please purchase separately.

STEP 3:

- Position the wall mount bracket as shown.
- Mark the anchor and/or screw placement using a pencil through the wall mount brackets.
- Repeat for both sides.

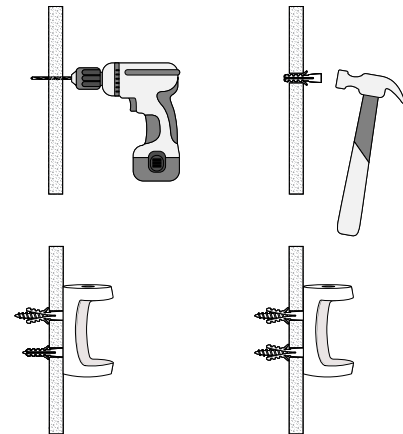


STEP 4:

DRYWALL MOUNT:

- Drill pilot holes and insert plastic anchors into drilled holes using a hammer to tap the anchors flush with the wall. Be careful when tapping not to damage the anchor or surrounding wall.
- Position wall mount brackets over installed anchors.
- Fasten screws through the wall mount bracket into anchors.
- Repeat this process for both mounting brackets, carefully measuring and leveling each side.

Make sure to follow these steps for all holes in the wall mount bracket for secure installation.



STEP 5:

- Insert shower rod into mounted brackets as shown below.
- Secure rod and bracket with screws provided.

