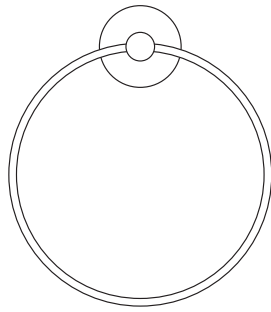


BISCAYNE TOWEL RING

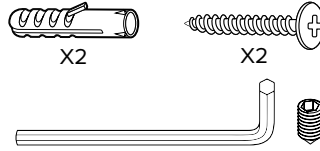
luca+lex

TRPC2, TRBN2, TRMB2, TRBB2



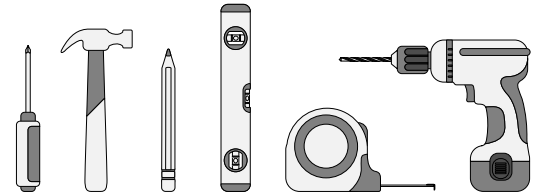
INCLUDED HARDWARE

Wall Anchors, Screws
Allen Wrench, Set Screw



TOOLS YOU MAY NEED:

Phillips head screwdriver, Hammer
Pencil, Level, Tape Measure, Drill



STEP 1:

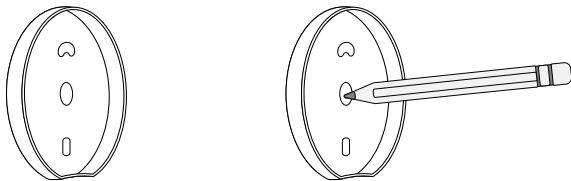
- Locate hanging hardware before discarding any packaging.

STEP 2:

- Determine installation location. **CAUTION:** Do not install where the product might be used as a grab or support bar.
- For best results, always install towel ring into a stud. If stud is not available, install using wall anchors.
- Measure & level the ring in desired location.

STEP 3:

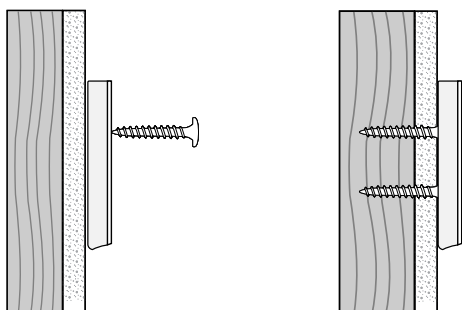
- Make sure the wall mount bracket screw holes are visible.
- Mark the anchor and/or screw placement using a pencil through the wall mount brackets.



STEP 4:

SOLID WOOD OR STUD MOUNT:

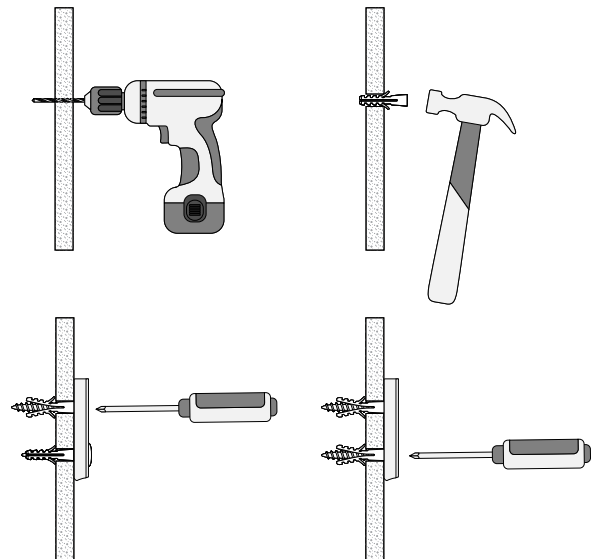
- Fasten screws through wall mount bracket at marked points.



STEP 4:

DRYWALL MOUNT:

- Drill pilot holes and insert plastic anchors into drilled holes using a hammer to tap the anchors flush with the wall. Be careful when tapping not to damage the anchor or surrounding wall.
 - Position wall mount brackets over installed anchors.
 - Fasten screws through the wall mount bracket into anchors.
- Make sure to follow these steps for all holes in the wall mount bracket for secure installation.**



STEP 5:

- Fasten towel ring over wall mount bracket.
- Tighten set screw at the bottom with allen wrench.

