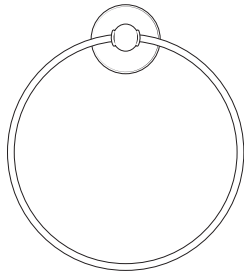


# ACADIA TOWEL RING

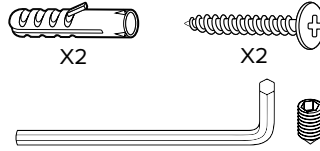
luca+lex

TRPC1, TRBN1, TRMB1, TRBB1



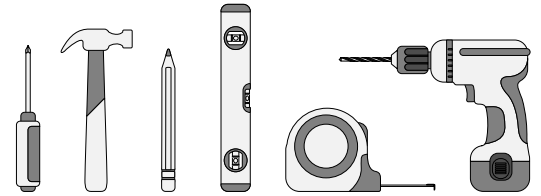
## INCLUDED HARDWARE

Wall Anchors, Screws  
Allen Wrench, Set Screw



## TOOLS YOU MAY NEED:

Phillips head screwdriver, Hammer  
Pencil, Level, Tape Measure, Drill



### STEP 1:

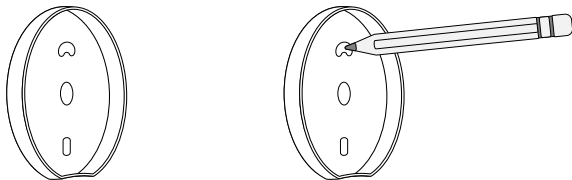
- Locate hanging hardware before discarding any packaging.

### STEP 2:

- Determine installation location. **CAUTION:** Do not install where the product might be used as a grab or support bar.
- For best results, always install towel ring into a stud. If stud is not available, install using wall anchors.
- Measure & level the ring in desired location.

### STEP 3:

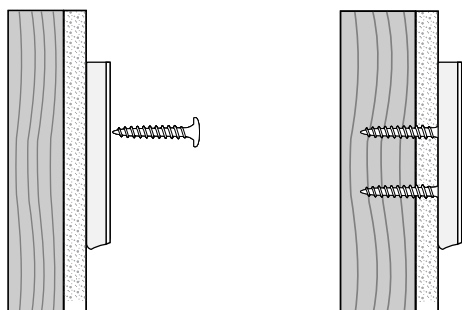
- Make sure the wall mount bracket screw holes are visible.
- Mark the anchor and/or screw placement using a pencil through the wall mount brackets.



### STEP 4:

#### SOLID WOOD OR STUD MOUNT:

- Fasten screws through wall mount bracket at marked points.

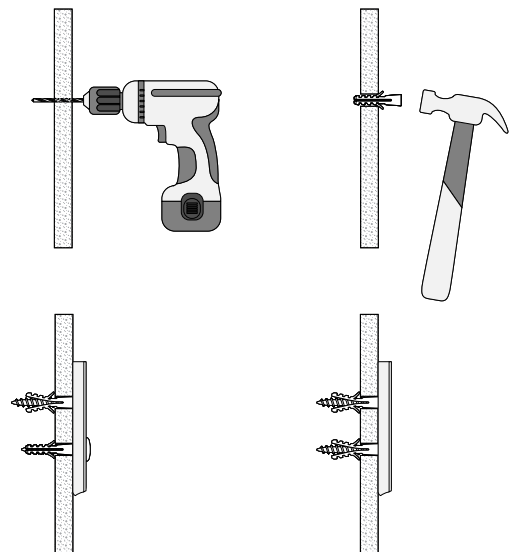


### STEP 4:

#### DRYWALL MOUNT:

- Drill pilot holes and insert plastic anchors into drilled holes using a hammer to tap the anchors flush with the wall. Be careful when tapping not to damage the anchor or surrounding wall.
- Position wall mount brackets over installed anchors.
- Fasten screws through the wall mount bracket into anchors.

**Make sure to follow these steps for all holes in the wall mount bracket for secure installation.**



### STEP 5:

- Fasten towel ring over wall mount bracket.
- Tighten set screw at the bottom with allen wrench.

