

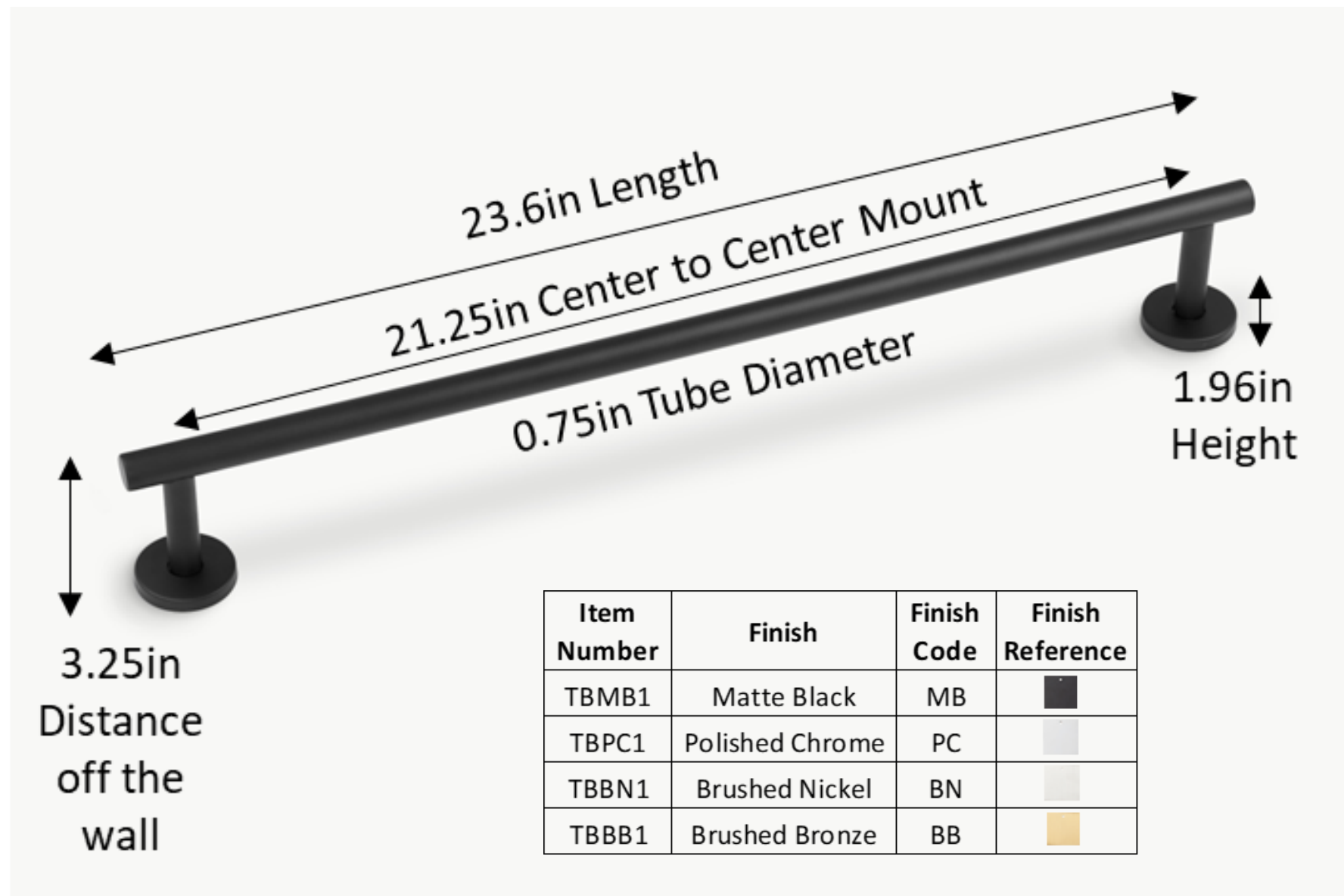
Biscayne Collection

Towel Bars - 24in

luca + lex

www.luca-lex.com

978-296-5578



Material:	Stainless Steel 304
Item Dimensions:	23.6 x 1.96 x 3.25 in
Mounting Center to Center:	21.25 in
Tube Diameter:	0.75 in
Item Weight:	0.51 lbs
Mounting Type:	Wall Mount
Mounting Hardware:	Included

One year warranty from date of purchase on material & finish.

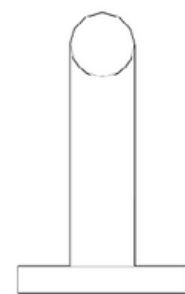
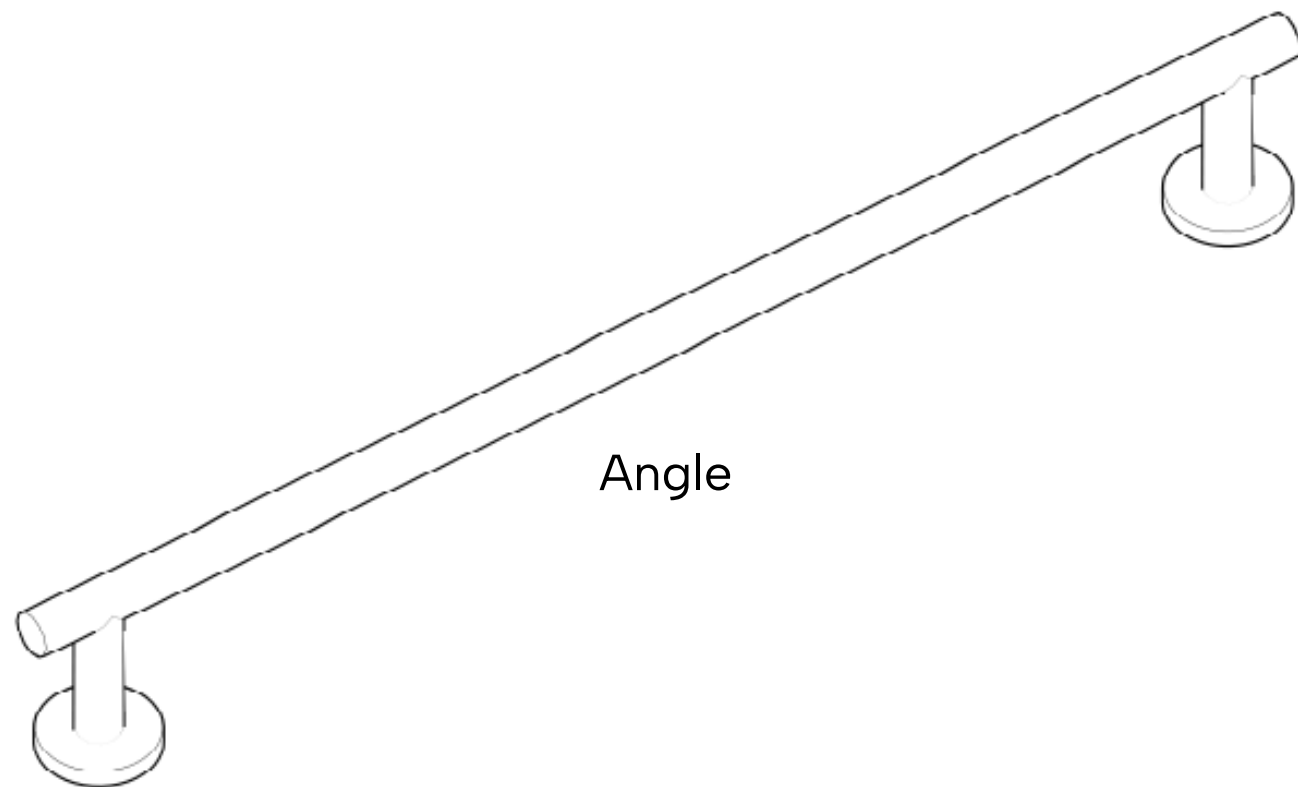
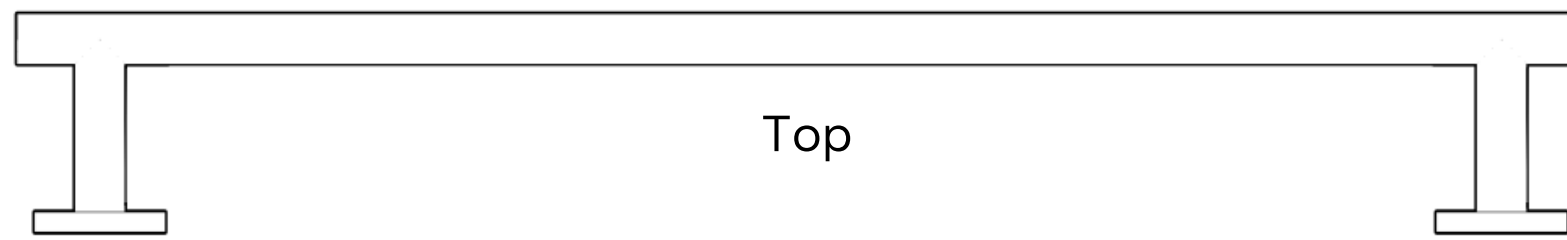
Biscayne Collection




Towel Bars - 24in

luca + lex

www.luca-lex.com

978-296-5578



Item Number	Finish	Finish Code	Finish Reference
TBMB1	Matte Black	MB	
TBPC1	Polished Chrome	PC	
TBBN1	Brushed Nickel	BN	
TBBB1	Brushed Bronze	BB	