

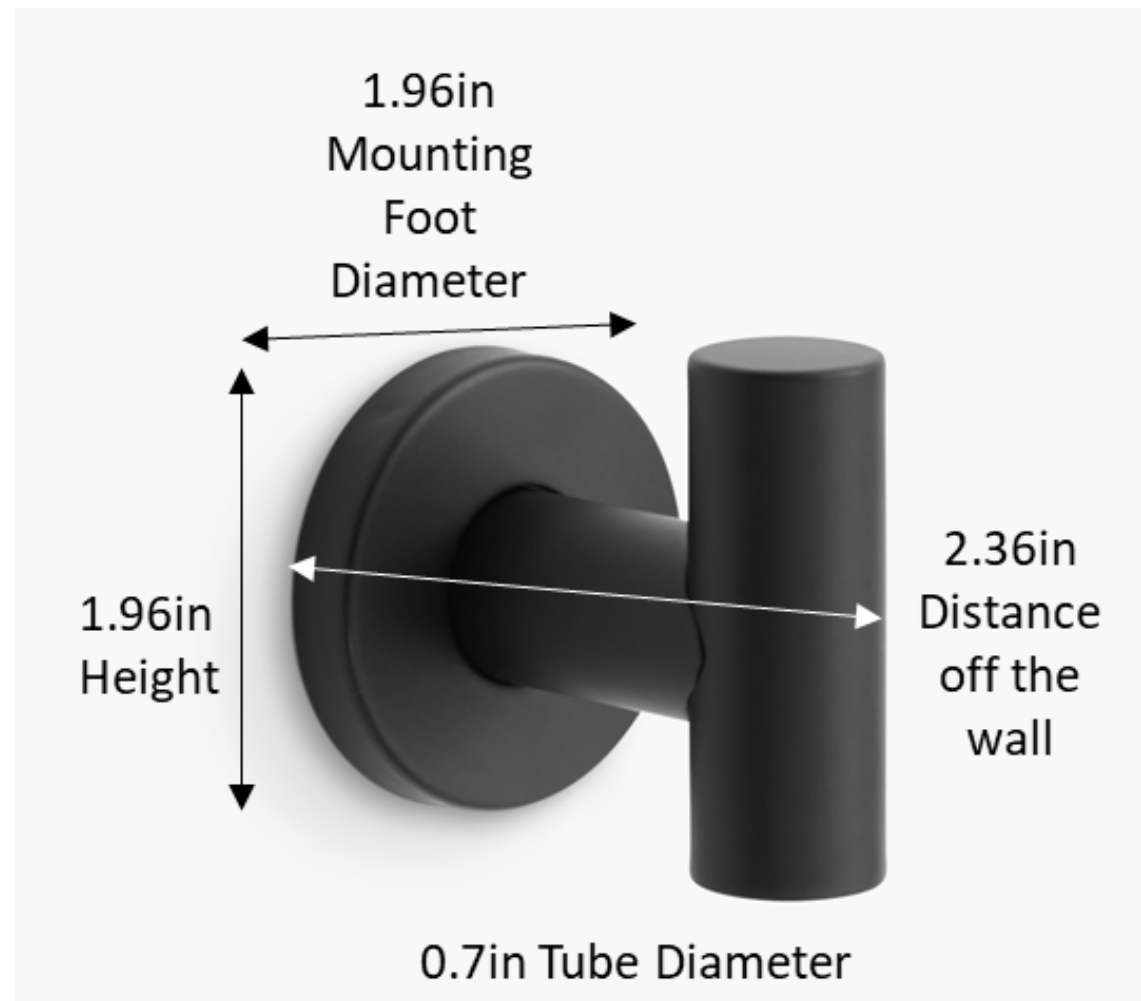
Biscayne Collection

Hooks

luca + lex

www.luca-lex.com

978-296-5578



Item Number	Finish	Finish Code	Finish Reference
HKMB1	Matte Black	MB	■
HKPC1	Polished Chrome	PC	■
HKBN1	Brushed Nickel	BN	■
HKBB1	Brushed Bronze	BB	■

Material:	Stainless Steel 304
Item Dimensions:	1.96 x 2.36 x 1.96 in
Tube Diameter:	0.7 in
Item Weight:	0.18 lbs
Mounting Type:	Wall Mount
Mounting Hardware:	Included

One year warranty from date of purchase on material & finish.

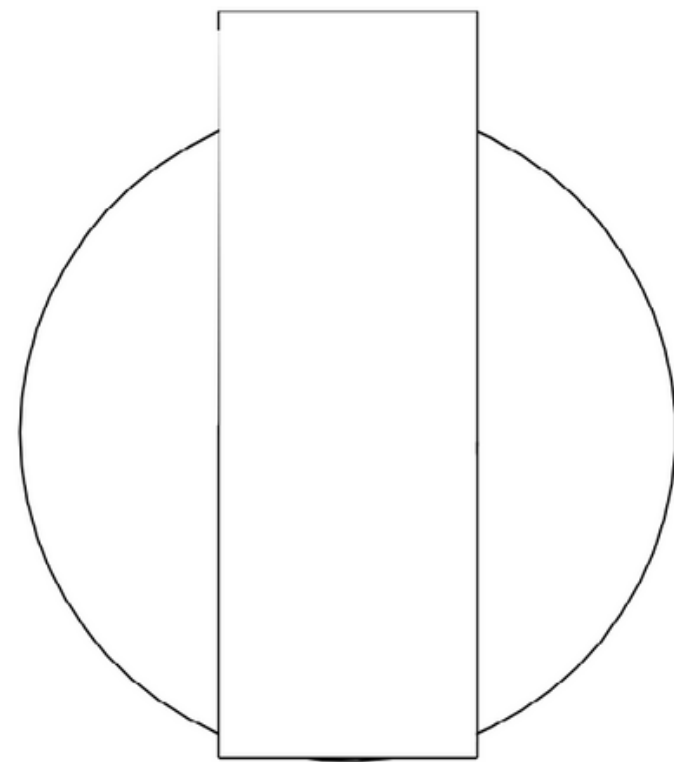
Biscayne Collection

Hooks

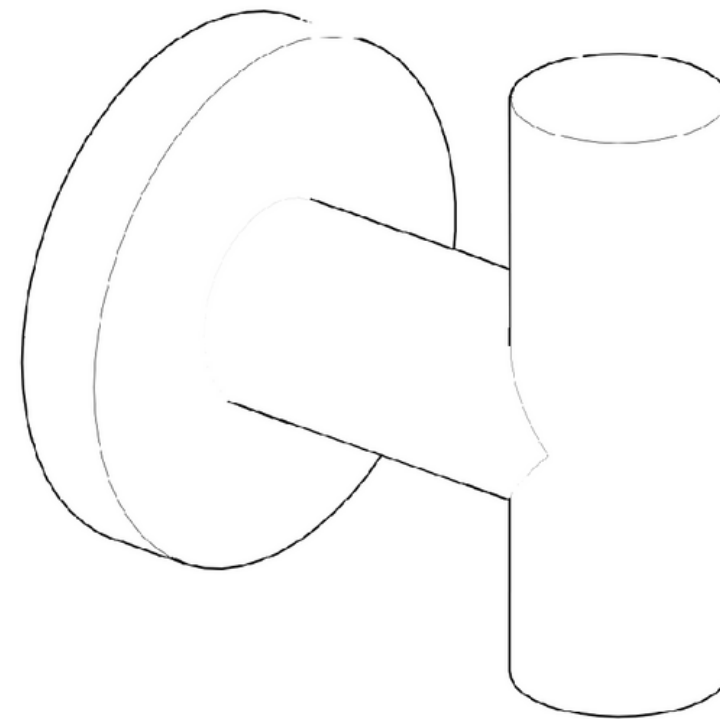
luca + lex

www.luca-lex.com

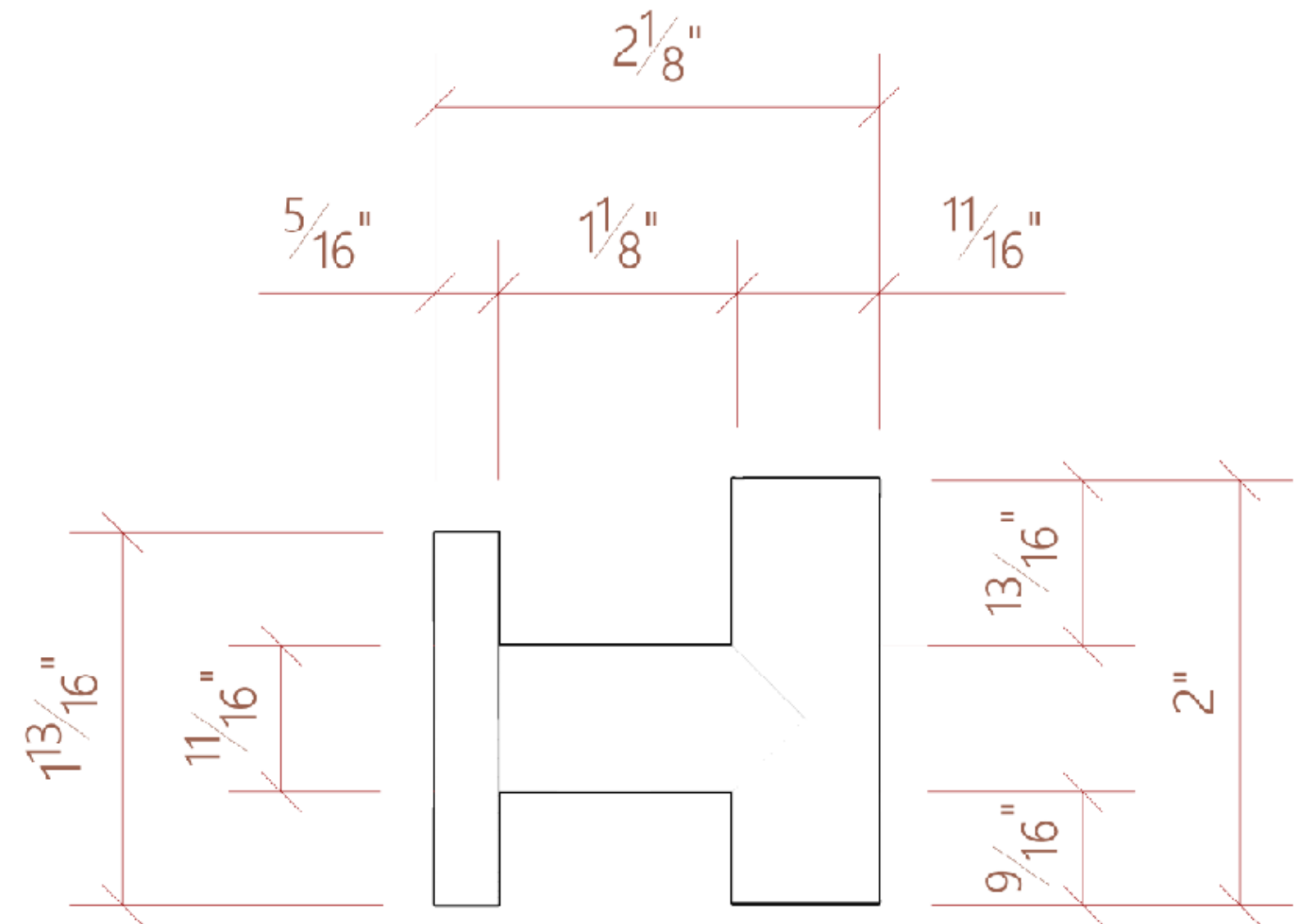
978-296-5578



Front



Angle



Item Number	Finish	Finish Code	Finish Reference
HKMB1	Matte Black	MB	■
HKPC1	Polished Chrome	PC	■
HKBN1	Brushed Nickel	BN	■
HKBB1	Brushed Bronze	BB	■